

DATE:
January 26, 2018
CATALOG NO.
CDP0508

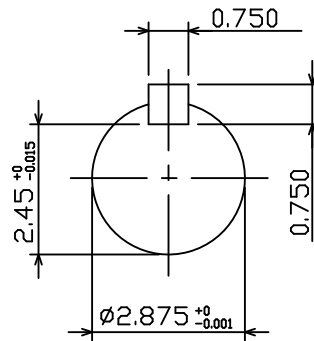
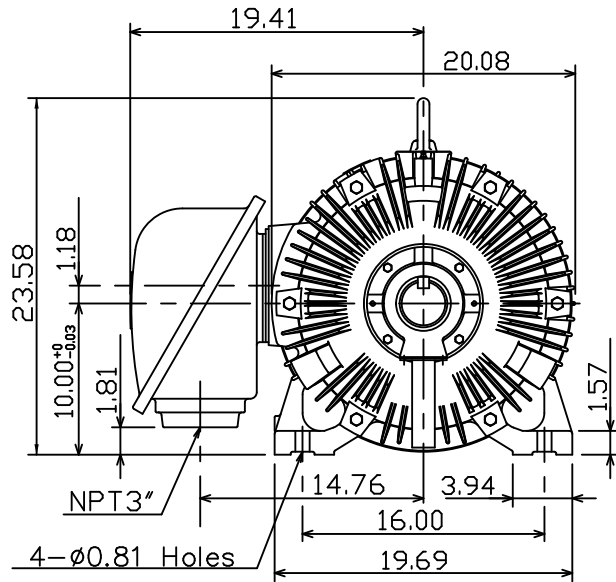
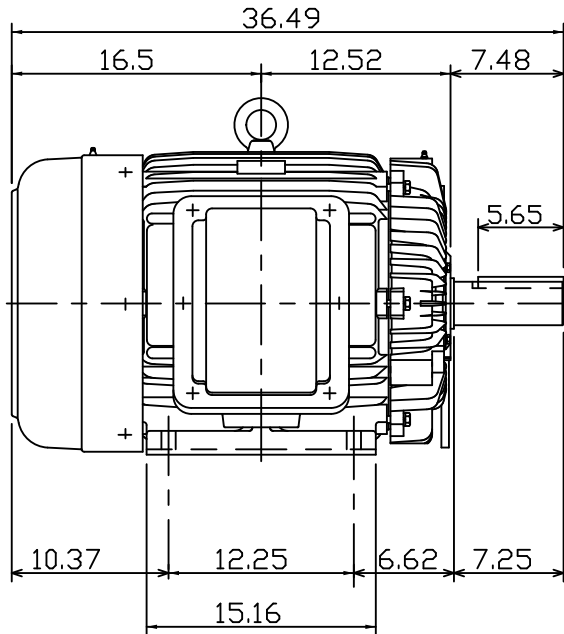
OUTLINE DIMENSIONS
3-PHASE INDUCTION MOTOR

MOTOR TYPE:
AEHHGD
FRAME NO. 404T

Pole	HP	kW	Hz	VOLT	r/min
8	50	37.3	60	230/460	900

Ins	Rating	Dimension in	Approx Weight	Bearings	
F	CONT.	inches	868 LBS.	DE: 6317	NDE: 6313

Totally Enclosed Fan Cooled Type.Squirrel-cage Rotor.



NOTE:

1. ENCLOSURE: IP55
2. SHAFT MATERIAL: SCM440 Q&T (AISI 4140 EQUIV)
3. WITH THERMISTOR: PTC 140°C × 3PCS
WIRED IN MAIN TERMINAL BOX



DWG.	C.COOK	02 01 18
------	--------	----------



DWG NO.
31049M633410